



SV lighting

sliššvidiš

“In the right light, at the
right time, everything is
extraordinary.”

Aaron Rose



EVIA Linear LED

EVIA linear light for indoor installations. For display, decorative and task lighting. For lighting surfaces and objects. For show-cases, niches, shelves, walls and many other applications. Multiple colour temperatures and multiple configurations. The linear light bar is manufactured according to your specifications.

Available in black or natur color.

Profile \varnothing 13.0mm, Custom length, max 2900mm

Legs \varnothing 6.0mm, Height: 100, 200, 300mm, or custom

Default wire length 1.5m

Constant voltage 12V, externally dimming (manual, DMX or Bluetooth)



Options:

120 LED/m, Power consumption: 9.6W/m

Color temperature: 3000K, 4000K, 6000K, CRI: 90

Luminous flux: 750lm/m

180 LED/m, Power consumption: 14.4W/m

Color temperature: 2.700K, 3.000K or 4.000K, CRI: 90

Luminous flux: 1000lm/m

240 LED/m, Power consumption: 19.2W/m

Color temperature: 3.000K or 4.000K, CRI: 90

NEW! Tunable white 3000K 6000K

Luminous flux: 1800lm/m



X1 SPOT

LED spotlight designed for showcases.

Anodized aluminium housing. Available in natur aluminium or matt black.

Pipe \varnothing 6.0mm, Height: 100, 200, 300mm, or custom

Optional lenses: 16°, 24°, 42°, 80° and 48°+16°.

Power consumption: 1.1W

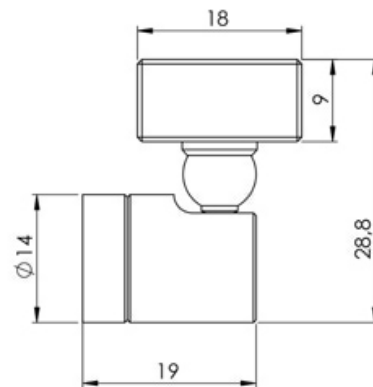
Color temperature: 3000K or 4000K, CRI: 90

Luminous: 85lm

Current consumption: 350mA constant current

Dimming: externally (manual, DMX or Bluetooth)





X1 TRACK

LED spotlight for installation on a magnetic bar.
Anodized aluminium housing. Available in natur aluminium or matt black.
Optional lenses: 16°, 24°, 42°, 80° and 48°+16°.
Power consumption: 1.0W
Color temperature: 3000K or 4000K, CRI: 90
Luminous: 85lm
Current consumption: 12V DC constant voltage
Dimming: externally (manual, DMX or Bluetooth)

The logo for SV lighting, featuring the letters 'SV' in a stylized, outlined font followed by the word 'lighting' in a clean, sans-serif font.

SV lighting

SLIŠIŠVIDIŠ d.o.o.

Ozeljan 31g
5261 Šempas
Slovenija

T: +386 5 30 79 636
info@sv-lighting.eu
www.sv-lighting.eu